



# PILLOW CUTTER

Part of the AEI  
Co-extrusion  
System



This rugged component of the AEI Co-extrusion System is designed to cut filled ropes from the extrusion head into a variety of cream filled or hollow shapes such as; squares, triangles, diamonds, or bars for the snack or confectionery markets.

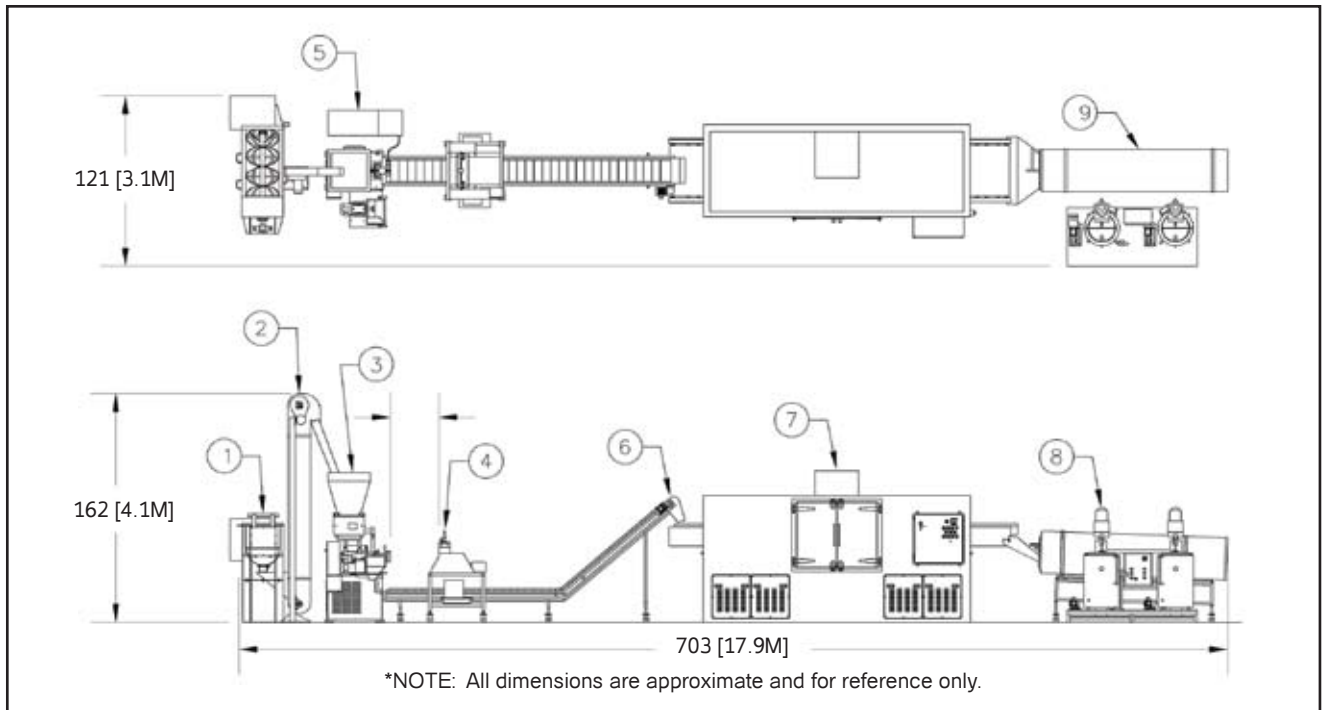
**AMERICAN EXTRUSION INTERNATIONAL**

498 Prairie Hill Road ■ South Beloit ■ Illinois ■ 61080 ■ USA ■ Tel (815) 624-6616 ■ Fax (815)624-6628 ■ [www.americanextrusion.com](http://www.americanextrusion.com)

# Co-extrusion System

## Construction

- Stainless steel tubular construction
- Water Cooling System to eliminate sticking
- NEMA 4X Control enclosure
- Variable Speed AC Drives
- Electroless nickel plated rollers



1. 18' Cubic Foot Ribbon Blender
2. 13' Bucket Elevator
3. Advantage 50 Extruder
4. Pillow Cutter
5. Positive Displacement Pump
6. 19' x 12" Horizontal Incline Conveyor
7. Model 1000 Series Gas Oven
8. Set of Two 40 Gal. Melting Tanks
9. 11' x 30" Diameter Coating Tumbler

